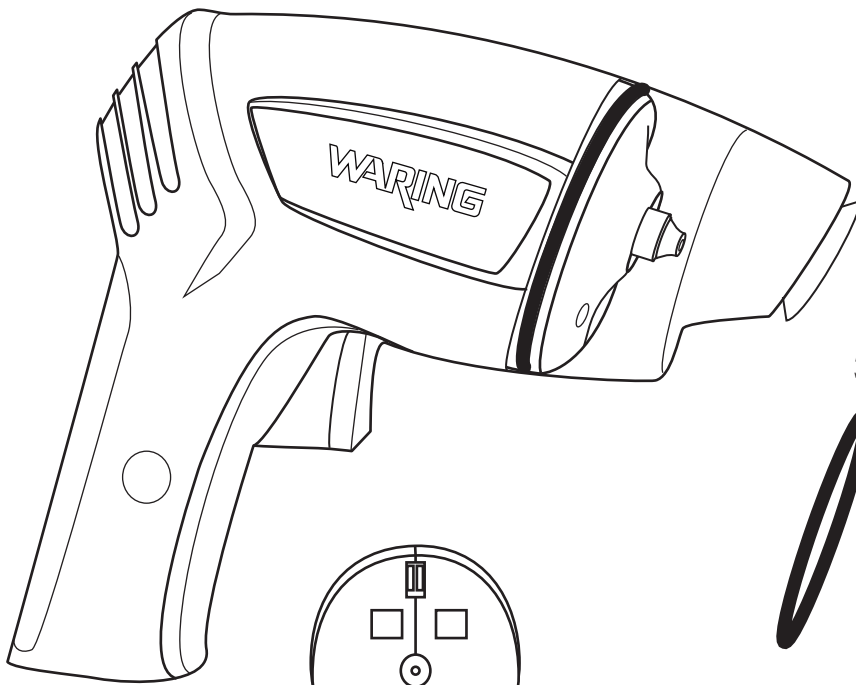
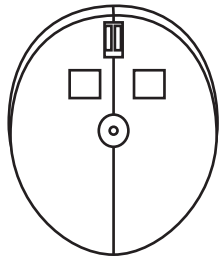


# WARING COMMERCIAL<sup>®</sup>

Europe Pistol Vac  
Vacuum Sealing System  
**WVS50E**



**034809**  
Pistol Unit



Bottom View of Unit

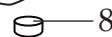
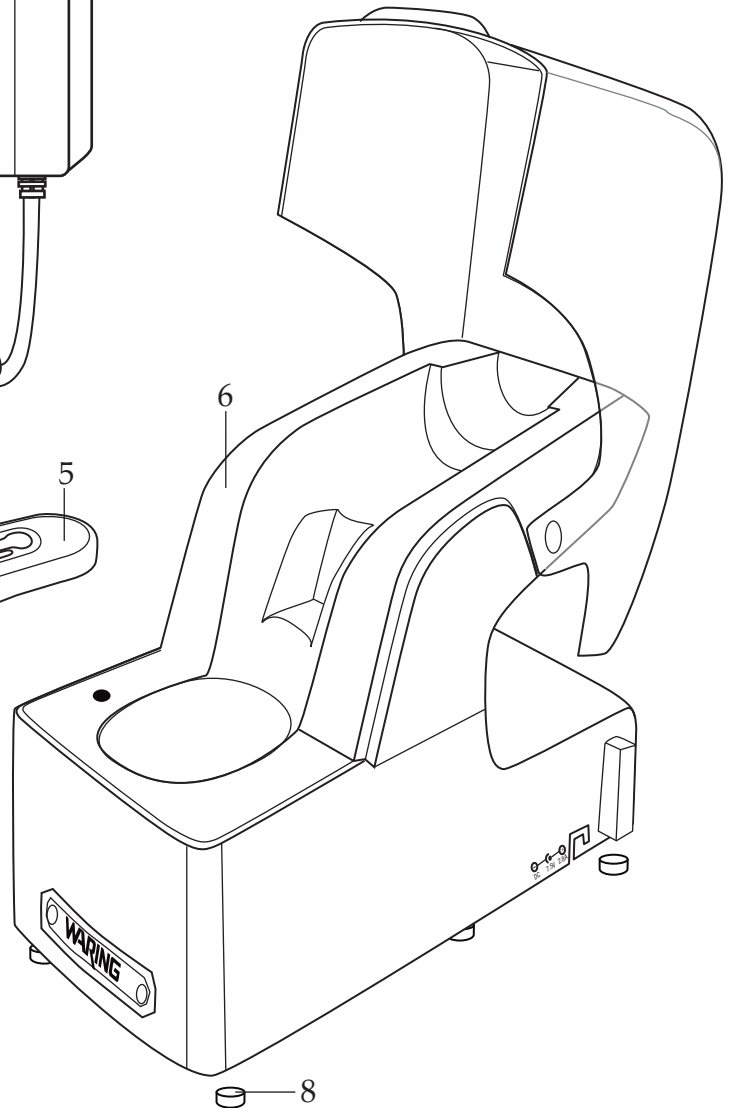
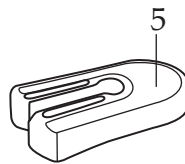
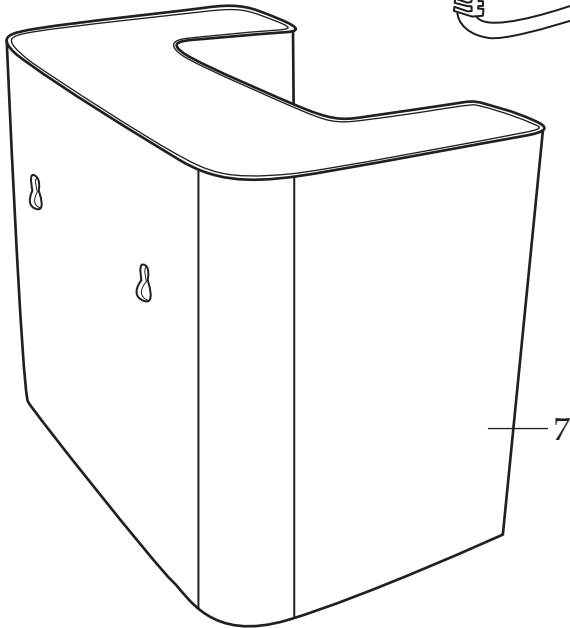
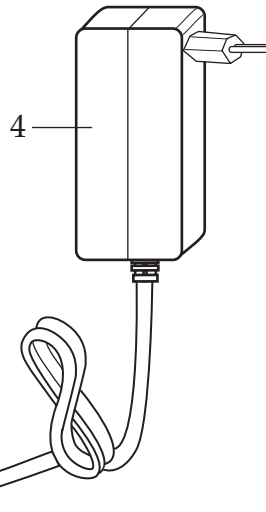
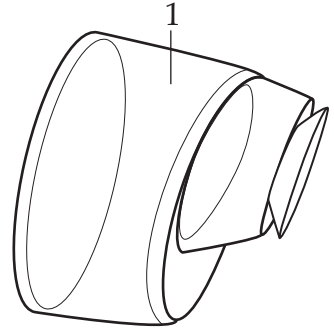


Illustration #	Part #	Description
1	033344	Nozzle
2	033345	Inner Suction Nozzle
3	033351	Gasket
4	035256	Charger Adapter
5	033341	Zip Tool (sealer)
6	035257	Charging Stand with Lid
7	034813	Storage Base
8	034812	Feet (4 required)

### Bags

**034814** - WVSQT / 1 Quart Bags (package of 50 count)

**034815** - WVSGL / 1 Gallon Bags (package of 50 count)

**034816** - WVS2GL / 2 Gallon Bags (package of 25 count)

### Comes with 50 Microwave, Freezer and Boil-safe Bags

25 One Quart Bags

25 One Gallon Bags